

# LFXE SERIES Outdoor Lighting

LFXE-LG-80-150W-MCTP-P  
BUILDER SERIES FLOOD/AREA LIGHTS WITH PHOTOCELL  
**MCTP** Multi Color Temperature & Multi Power/Wattage (Selectable)

**WESTGATE**  
THE FUTURE IS HERE...AND IT'S QUITE BRIGHT!



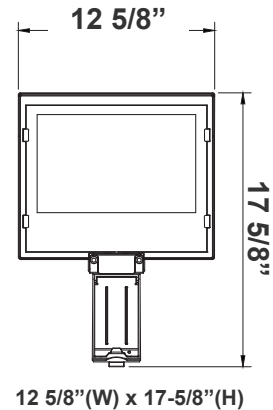
Ideal for general site lighting, alleys, loading docks, doorway, pathway, and parking areas.

Customer Name: \_\_\_\_\_

Project Name: \_\_\_\_\_

Note: \_\_\_\_\_

Type: \_\_\_\_\_



## Features

- Solid State Lighting Technology For Long Life
- No Maintenance Needed and High-Efficiency
- 70,000 Hours Rated Life
- 7-Year Warranty
- Optic Lens Type: III
- Multi-Power - The Switch is On the Bottom of the Fixture

## Technical Specifications

### Electrical:

- Voltage: 120~277V AC/50~60 Hz
- Wattage: 80W/100W/150W
- Power Factor: >0.9
- Efficacy: 135 LPW

### Mechanical:

- With Snap-On & Bolt Mounting Options for One-Person Installations. Select A Mounting Option (Sold Separately)
- Die-cast Aluminum Housing With Powder Coat Finish (Dark Bronze)
- Photocell Included (With Disconnect Switch)
- 10KV Lightning Surge Protection
- Effective Projected Areas (EPA's) are: Front = 0.38 ft<sup>2</sup>, Side = 0.30 ft<sup>2</sup>, Face = 1.05 ft<sup>2</sup>
- Operating Temperature: -40°F to 104°F
- IP Rating: IP65, Suitable for Wet Locations

### Lighting:

- Multi-Power - The Switch is On the Bottom of the Fixture
- Dimming: 0~10V Dimmable
- Optic Lens Type: III
- Cord Type: 6' SJTW 18/3 AWG cable
- Total Lumens: 20250LM Max.
- Color Temperature: 3000K/4000K/5000K
- Color Rendering Index: ≥ 82
- Beam Angle: 120° X 90°

### Applications:

- Ideal for general site lighting, alleys, loading docks, doorway, pathway and parking areas.
- Replace existing HID flood lights/ wall packs

### Other Models:

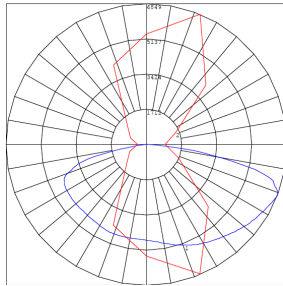
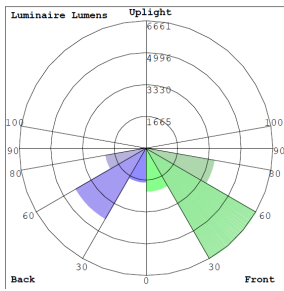
- 150W | 20250LM | LFXE-LG-80-150W-50K-P



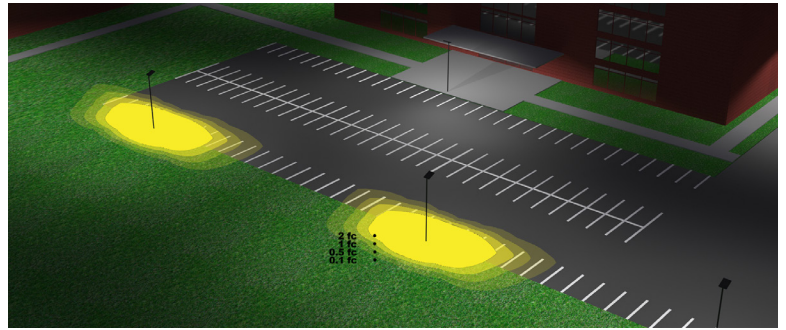
Phone: (877) 805-2252 | Fax: (877) 805-2252  
www.westgatemfg.com |



**Photometrics:** LFXE-LG-80-150W-MCTP-P



BUG Rating: B3-U0-G3

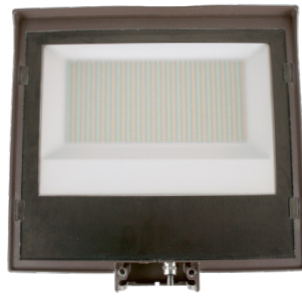


Area 55'x 100' Mounting Height: 20'

**Other Views:**



Side View



Front View



Back View

**Performance Table:** LFXE-LG-80-150W-MCTP-P

MODEL NO.	Wattage	Voltage	Lumens	Color Temp.	BUG Rating	LPW
LFXE-LG-80-150W-MCTP-P	80W	120~277V	10800LM	3000K	B3-U0-G3	135
	100W		13500LM	4000K		
	150W		20250LM	5000K		

**Sample Ordering**

Model	Size	Min. Wattage	Max. Wattage	Color Temp.	Photocell
LFXE	LG	50	150W	MCTP	P

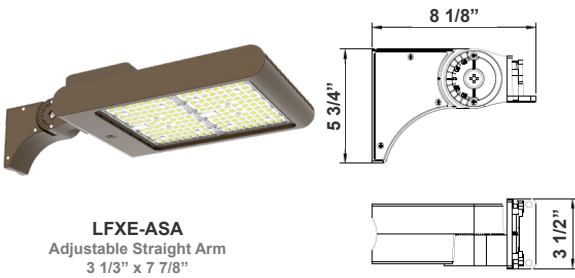
**Example:**

1. LFXE-LG-80-150W-MCTP-P

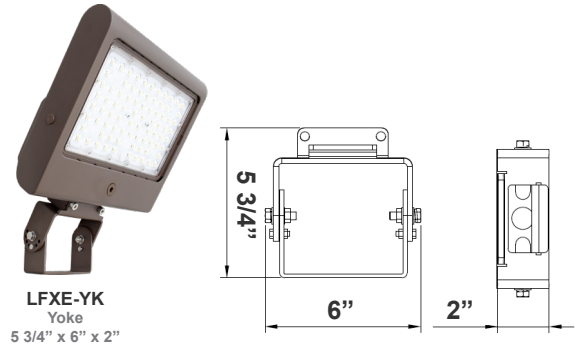
(For LFXE 150W MCTP fixture 120-277V)



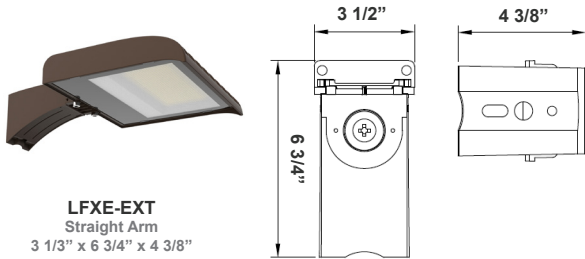
## Mounting Options:



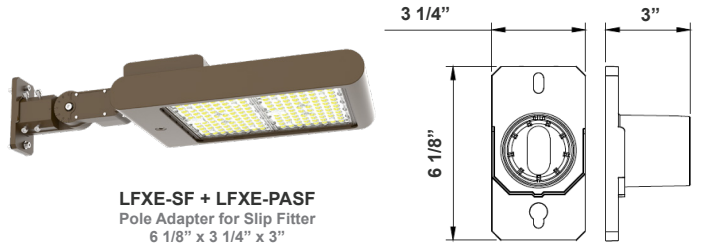
**LFXE-ASA**  
Adjustable Straight Arm  
3 1/3" x 7 7/8"



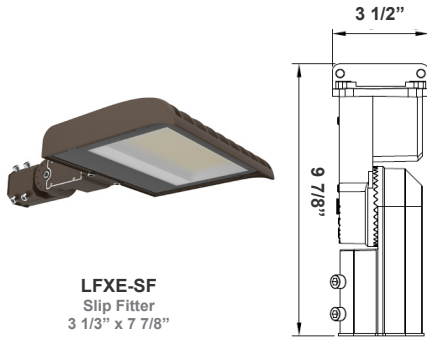
**LFXE-YK**  
Yoke  
5 3/4" x 6" x 2"



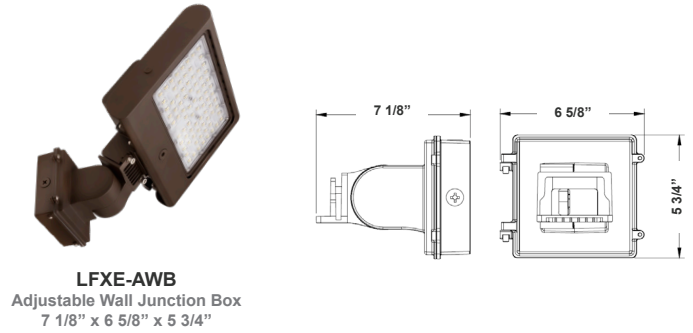
**LFXE-EXT**  
Straight Arm  
3 1/3" x 6 3/4" x 4 3/8"



**LFXE-SF + LFXE-PASF**  
Pole Adapter for Slip Fitter  
6 1/8" x 3 1/4" x 3"



**LFXE-SF**  
Slip Fitter  
3 1/3" x 7 7/8"



**LFXE-AWB**  
Adjustable Wall Junction Box  
7 1/8" x 6 5/8" x 5 3/4"

